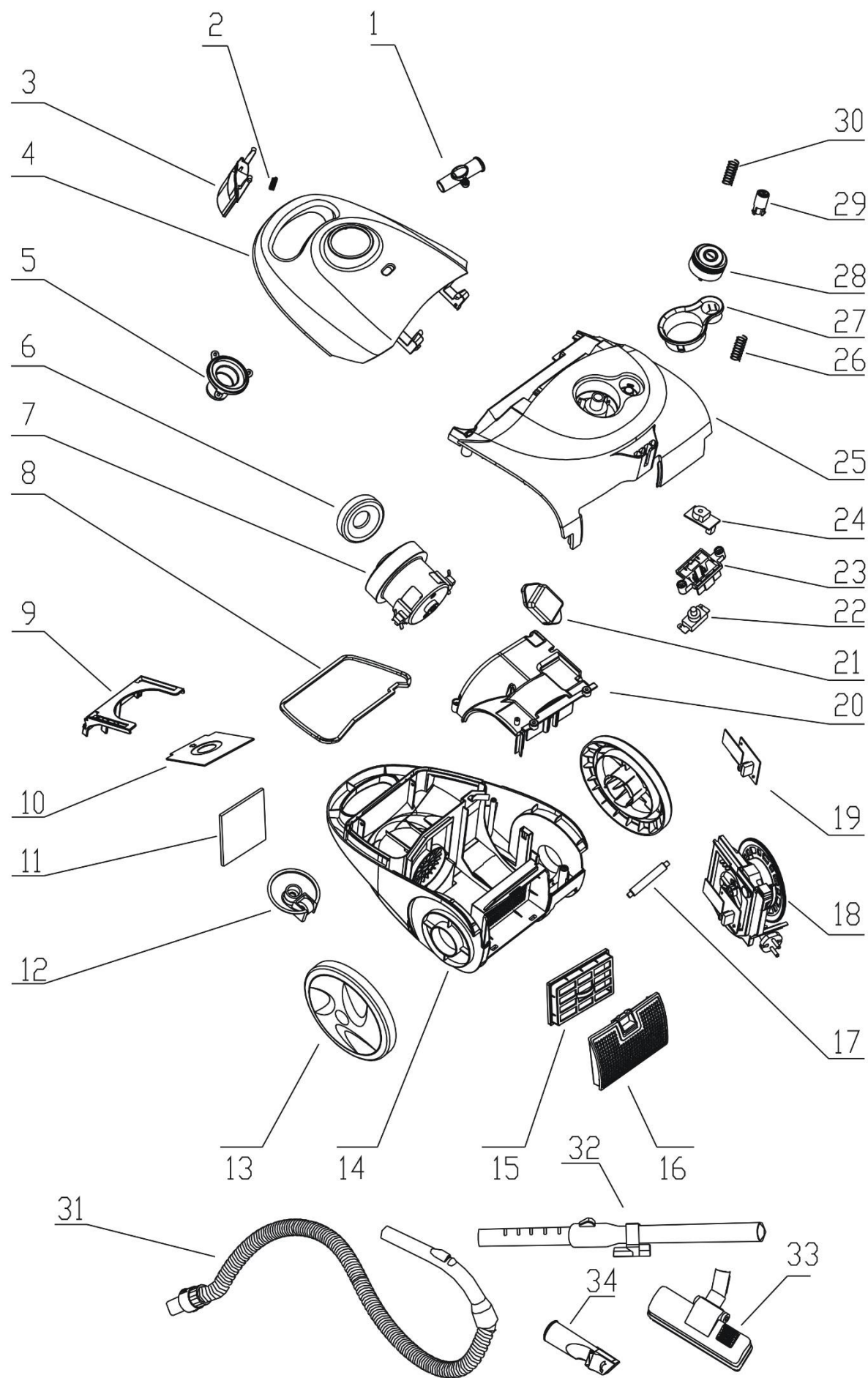


3803 EXPLODED VIEW PART LIST

BW 3803 EXPLODED VIEW



- | | |
|------------|---------------------------------------|
| 1 风量管塞 | DUST FULL INDICATOR |
| 2 前盖锁块弹簧 | SPRING FOR LOCK BLOCK FOR FRONT COVER |
| 3 前盖锁块 | LOCK BLOCK FOR FRONT COVER |
| 4 前盖 | FRONT COVER |
| 5 吸口座 | SUCTION COVER |
| 6 电机密封圈 | SEAL FOR MOTOR |
| 7 电机 | MOTOR |
| 8 尘仓密封条 | SEAL RING FOR DUST BIN |
| 9 尘袋架 | DUST BAG FRAME |
| 10 尘袋 | DUST BAG |
| 11 进风过滤片 | FILTER FOR AIR INLET |
| 12 小滚轮 | SMALL WHEEL |
| 13 大滚轮 | BIG WHEEL |
| 14 机体 | BODY |
| 15 出风 HEPA | EXHAUST HEPA |
| 16 出风板 | COVER FOR AIR OUTLET |
| 17 出线滚轴 | ROTATIONAL AXIS FOR CORD OUTLET |
| 18 卷线器组件 | CORD REWINDER |
| 19 线路板 | PCB PLATE |
| 20 电机罩 | COVER FOR MOTOR |
| 21 电机压座 | FIXATION FOR MOTOR |
| 22 开关 | SWITCH |
| 23 开关支架 | SWITCH HOLDER |
| 24 电位器 | POTENTIOMETER |
| 25 后盖 | REAR COVER |
| 26 调速钮弹簧 | SPRING FOR SPEED CONTROL BUTTON |
| 27 装饰面板 | DECORATION PANEL |
| 28 开关调速钮 | SWITCH AND SPEED CONTROL BUTTON |
| 29 收线按钮 | CORD REWINDER BUTTON |
| 30 收线按钮弹簧 | SPRING FOR CORD REWINDER BUTTON |
| 31 软管 | HOSE |
| 32 金属伸缩管 | TELESCOPIC TUBE |
| 33 地刷 | FLOOR NOZZLE |
| 34 二合一扁吸 | 2 IN 1 CREVICE NOZZLE |